



# Uncover station

stainless steel flat components

● **Mechanische Studien**

● **Realisierungen**

● **Verkabelung**

● **Steuerungen**

The stripping station **removes the plastic film from** stainless steel tolerances. It can also be used to place a peripheral seal.

This operator workstation consists of a chassis on swivel castors. The **table top can be adjusted in height** over a 300 mm range using an **electric telescopic foot** and a push-button control.

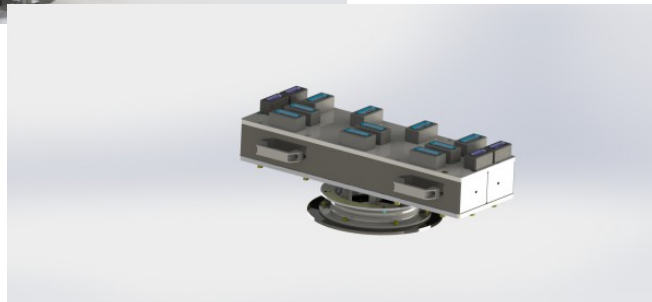
A sheet-metal fixture fitted with suction cups is fixed to a turntable that can be rotated through 360° manually, braked or released via a pneumatic pedal.

The sheet metal is held in place using **a vacuum technique**, and a lever-operated selector allows the format for the current campaign to be set.

The station has **4 pneumatic controls** to select the group of suction cups to be activated to hold the sheet to be hidden.

FEATURES :

- **Maximum height 2400 mm**
- **Width 1000 mm**
- **Depth 800 mm**
- **Weight 140 kg**



Ref : 3797

Leistung hinzugefügt 17/10/24



**CEREST**

20 Rue des Frères Lumière  
68000 Colmar - FRANCE



**MAIL**

cerest@cerest.com



**TELEFONISCH**

+33 (0)3.89.21.02.56



**INTERNET**

www.cerest.com